

## Mounting brackets - PSD-S ME BR-SM - 2700144

Please be informed that the data shown in this PDF Document is generated from our Online Catalog. Please find the complete data in the user's documentation. Our General Terms of Use for Downloads are valid (<http://phoenixcontact.com/download>)




Angle for floor mounting, black

### Your advantages

- ✔ One-sided assembly for up to 5 signal elements
- ✔ Without concealed cable routing



### Key Commercial Data

Packing unit	1 pc
GTIN	 4 046356 491365
GTIN	4046356491365
Weight per Piece (excluding packing)	40.000 g
Custom tariff number	39269097
Country of origin	Germany

### Technical data

#### Dimensions

Diameter	55 mm
Height	57 mm

#### Ambient conditions

Ambient temperature (operation)	-30 °C ... 50 °C
---------------------------------	------------------

#### General

Material	PA A3 x 2G5
Color	black

# Mounting brackets - PSD-S ME BR-SM - 2700144

## Technical data

### General

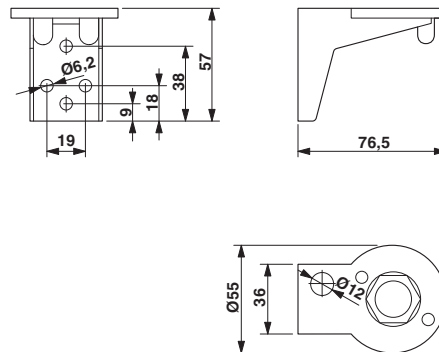
Weight	40 g
Mounting position	any
Mounting type	Base mounting
Scope of delivery	2 x plastic screw 1 x cable threaded joint 1 x nut

### Environmental Product Compliance

China RoHS	Environmentally friendly use period: unlimited = EFUP-e
	No hazardous substances above threshold values

## Drawings

Dimensional drawing



## Classifications

### eCl@ss

eCl@ss 10.0.1	27371233
eCl@ss 11.0	27371233
eCl@ss 4.0	27143200
eCl@ss 4.1	27143200
eCl@ss 5.0	27371200
eCl@ss 5.1	27371200
eCl@ss 6.0	27371200
eCl@ss 7.0	27371233
eCl@ss 9.0	27371233

### ETIM

ETIM 3.0	EC000326
----------	----------

# Mounting brackets - PSD-S ME BR-SM - 2700144

## Classifications

### ETIM

ETIM 4.0	EC002622
ETIM 6.0	EC001153
ETIM 7.0	EC001153

### UNSPSC

UNSPSC 6.01	43172015
UNSPSC 7.0901	43201404
UNSPSC 11	39121311
UNSPSC 12.01	39121311
UNSPSC 13.2	39121311
UNSPSC 18.0	46171604
UNSPSC 19.0	46171604
UNSPSC 20.0	46171604
UNSPSC 21.0	46171604

## Approvals

### Approvals

---

Approvals

EAC / EAC


---

Ex Approvals

---

### Approval details

EAC		EAC-Zulassung
-----	---	---------------

EAC		RU *- DE.A*30.B.00237
-----	---	--------------------------